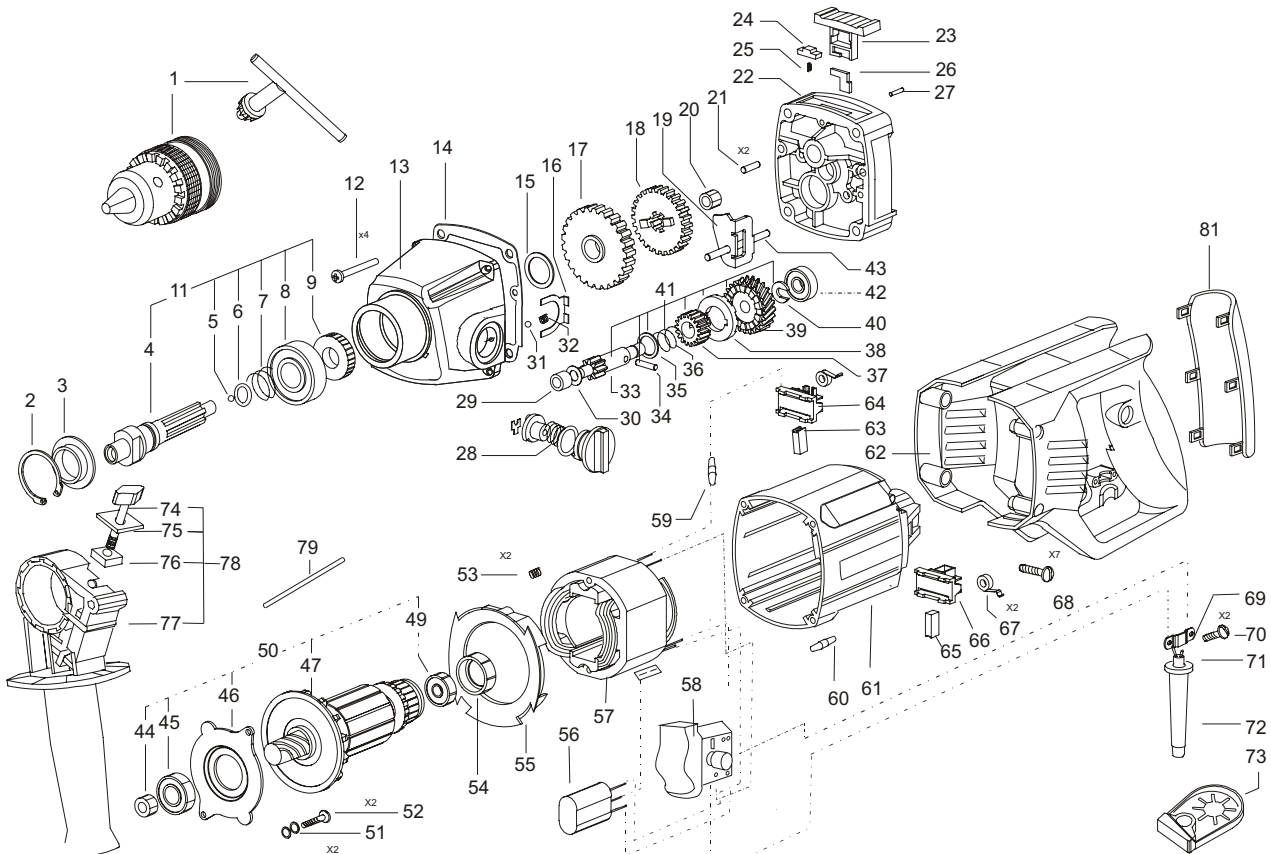


POS. No.	Ref.No.	Description	POS. No.	Ref.No.	Description
1	124612	Chuck 16M	42	330308	Bearing 6082ZP63LDS18
2	920048	Circlip J35x1.2	43	116816	Axle
3	116805	Protective washer	44	117012	Bush
4	116796	Spindle	45	330945	Bearing 6000 2RSL P63 LDS18SpA
5	330074	Pellet 5-200	46	117011	Bearing cover
6	330341	O-ring 13X2B	47	100429	Fan
7	116797	Spring	49	330287	Bearing 627-2ZP6LDS18
8	330232	Bearing 6003-2RS	50	116986	Armature set
9	116799	Hammer bush	51	360010	Spring washer 4H
11	116795	Spindle set	52	360314	Screw M4x12
12	361409	Screw K5X45 TORX 20	53	122859	Spring
13	143233	Gear box set	54	164934	Rubber bush
14	152350	Gasket	55	129830	Diffuser
15	116806	Spacer washer	56	152377	Capacitor set
16	116817	Fixing panel	57	122863	Stator set
17	116807	Spindle gear I	58	173350	Switch Defond DGQ 1112-HE
18	116808	Spindle gear II	59	124127	Choke
19	116809	Switching plate	60	124127	Choke
20	330233	Bearing HK0810RS	61	152348	Body
21	127498	Pin	62	152357	Casing handle set
22	143236	Bearing shield	63	120964	Brush with a switch
23	128170	Hammer switch	64	116892	Brush holder set
24	170049	Fixing bit	65	120965	Brush
25	130580	Spring	66	116893	Brush holder set
26	116831	Plate	67	112257	Spiral spring
27	116884	Pin	68	361425	Screw K4X16 TORX 20
28	131575	Speed Change Knob	69	256500	Cord clamp
29	933756	Bearing HK0709	70	361360	Screw K 4X9.5 TORX 20
30	140033	Spacer washer	71	158698	Cord with a plug euro plug RAL 3020
31	330073	Pellet 3.5-200	72	206687	Cord protector
32	130580	Spring	73	114292	Key holder
33	116819	Gear shaft	74	121306	Butterfly screw set
34	117817	Pin	75	271221	Plate
35	116820	Spacer washer	76	114032	Nut M6
36	116821	Spring	77	121133	Handle
37	116822	Spindle gear II for Gear shaft	78	121152	Handle set
38	116823	Profile washer	79	151159	Depth gauge
39	116824	Large intermediate gear	81	128006	Insert
40	119144	Circlip			
41	116818	Gear shaft set			



166061

143427